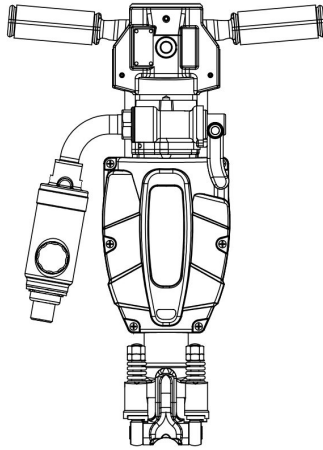
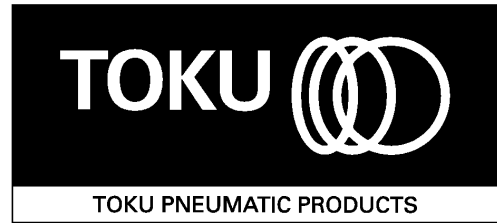




www.air-allied.com.au





OPERATOR'S INSTRUCTIONS AND PARTS LIST

AIR HAND HAMMER MODEL TJ-15SV

Symbol

Please observe all safety precautions listed below.

 **WARNING:** This may cause an accident resulting in injury or death if it is not observed.

 **CAUTION:** This may cause injury, damage or trouble to the air tool or equipment if it is not followed.

WARNING

To reduce risk of injury, everyone using, installing, repairing, maintaining changing accessories on, or working near this tool **MUST** read and understand these instructions before performing any such task.

DO NOT DISCARD - GIVE TO USER



Do not use a Rack Drill until this safety instruction has been read and understood completely.
This manual is necessary to help you to use the Rock Drill correctly.

WARNING

Do not use a Rock Drill before reading this safety instruction manual.
Obey all of the safety measures indicated in this manual

**FOR DETAILED INFORMATION ABOUT TOKU AIR TOOLS AND EQUIPMENT
CONTACT TO :**

Air & Allied Sales (Pacific) Pty Ltd
HEAD OFFICE
1/50 Success Street, Acacia Ridge, QLD 4110, AUSTRALIA

12th edition

Safety precaution when using an Air Tool

Always obey the law and the safety regulations during work.

Always wear proper clothing and use other protective equipment when operating an air tool.

WARNING

Always wear ear protection to prevent possible ear damage when operating an air tool at high noise level or for a long time.

WARNING

Heavy vibration from an air tool may result in injury to the hand, fingers and wrist of operator during a long period of operation.

Stop using an air tool if you feel pain or any problem concerning the use of an air tool. Resume use of an air tool after consulting with a doctor, confirming that there is no problem concerning the use of an air tool.

Always wear suitable working clothes when operating an air tool because a necktie or clothing with an open sleeve may get caught in the air tool during operation and may result in danger to the operator.

Always wear the following protective equipment during the operation of an air tool to protect the operator from getting hurt according to the type of the operation.

Gloves Dust proof mask Helmet Protective goggles Ear protection Working shoes

Setting up a dust vacuum device is recommended when operating an air tool indoors.



Rules for the purpose of safety, which must be observed

WARNING

It is absolutely necessary to receive permission from the manufacture for the purpose of any modifications concerning the air tool.

The manufacturer will not assume any responsibility concerning an accident resulting in injury, death or any trouble from an air tool due to the reconstruction without the permission of the manufacturer.

Always use GENUINE tool replacement parts recommended by the manufacturer when replacing any part of an air tool.

There must be a sticker or a sign indicating matters concerning the safety precautions and maintenance on a new air tool.

It is always important to keep this sticker of sign to be clean enough to read. It is available from the distributor of the manufacturer if it is lost.

Checking the workplace or work site

Do not permit people except operators get near the work site. Especially it is very dangerous to permit children into the working area.

Arranging and preparing the working area are the starting lines to ensure safety operation. Always maintain the work site or workshop to be in order and make sure they have enough light.

Always observe the rules such as warning, caution, manual, etc written in the working area.

Do not use the tool in explosive conditions.

Maintenance and replacement of the chisel

WARNING

Turn the valve cock of the compressor completely to the stop position, hold down the throttle valve and release the pressure in the hose completely before inspecting and replacing the chisel.

Inspect the chisel regularly, replace with a new one if any defect, such as a crack is found. Using a chisel with any defect is very dangerous.

Make sure that the tip of the chisel is sharp once again.

Hose connection

WARNING

Install the metallic cap of the air hose onto the body of the air tool firmly. The metallic cap will come off and cause the hose to run amuck due to vibration if the metallic cap is used in a loose condition. This will be very dangerous.

Check for damage of the air hose and in the connection part of the air tool body.
Confirm that there is no dust or dirt.
Do not point the air hose at anyone.
Never use compressed air to clean cloth.

Operation

CAUTION

Keep your feet away from the chisel. There would be a risk for injury if the chisel drops onto the operator's foot when the chisel is broken.

Never operate an air tool at an air pressure over the limit of the air tool.
Confirm that the retainer of the chisel is locked firmly before starting the air tool.
Never start an air tool without a chisel.
Always hold an air tool with both hands. Confirm that the handle is clean without any grease or oil.
Do not place the air tool on a person's foot.
Always keep well balanced during operation.
Never get on a tool. For example, do not put one foot on the handle of the air tool.
This may become a reason to get hurt especially when the air tool is broken.
Investigate the material of the work. For example, when using the tool for electric and telephone cable, water and drain pipe, etc, inspect for hidden cable or pipe underground before operating an air tool.
In case the chisel hits something during operation, stop the air tool immediately.
Restart the tool after the danger is cleared.

Service and maintenance

Turn the valve cock of the compressor completely to the stop position, hold down the throttle valve and release the pressure in the air hose completely before disconnecting an air tool.
Read and understand the instruction manual correctly. Contact with the selling agent or distributor of the manufacturer for further service information if necessary.
When it is necessary to use solvent to clean parts, be sure it is within the safety standards first, then use the solvent at a place with good ventilation.

Never be careless

Always concentrate on the work.
Always use common sense.
Eye vision and reaction deteriorate significantly in fatigue conditions after taking medicine, or drinking alcohol.
Never use an air tool when you are under the influence of these conditions.

Always direct exhaust away from yourself and others in the area.

**Always disconnect tool from the air supply when not in operation.
If quick-disconnect couplings are used, separate the coupling from the tool with a leader hose.**

Always make sure cutting chisel is securely latched in the tool before depressing throttle trigger.

Always hold cutting tool down firmly on the work before depressing throttle trigger.

Operator's instruction

Preparations before operation

Check following matters before operation.

Compressor

Capacity of the compressor is sufficient. Minimum requirement 16hp, 56CFM at 90psig (6.2bar)

Whether the drain has been removed.

Air Hose

Whether there is any damage to the air hose. Whether the size and length is correct.

Clean the interior of the air hose using compressed air.

When using two or more tools, all except leader hose should be 1" or large.

(See diagram above for piping and fittings.)

Inspection of the Rock Drill

Whether there is looseness in the screw thread areas.

Whether there is a crack or breakage in the main body.

Inspection of rod

Whether the rod is suitable for the shank of the Rock Drill.

Whether the rod is suitable for the work.

Whether there is wear or cracks.

Whether the rod is mounted correctly.

Wearing protective equipment

Whether the helmet, protective goggles, ear protection, gloves and working shoes are worn correctly.

Air Supply

Whether the air pressure is suitable. For best operation, supply tool with 90psig (6.2bar) of clean, dry air.

Higher pressure drastically reduces tool life and can void warranty. (600kPa for max)

Lubrication

To flush out GUM and DIRT – you should do the following two steps EACH DAY.

1. (Before the shift), pour a liberal quantity of gum solvent oil into the tool's air inlet.

2. Connect tool to air line and operate. Repeat this procedure before storing the tool.

Air line lubricator should be used in conjunction with the integral oiler.

Repeat this procedure before storing the tool.

Whether there is sufficient oil in the line oiler.

Whether the oil is suitable for the Rock Drill. (Oil equivalent to #100 Rock Drill oil)

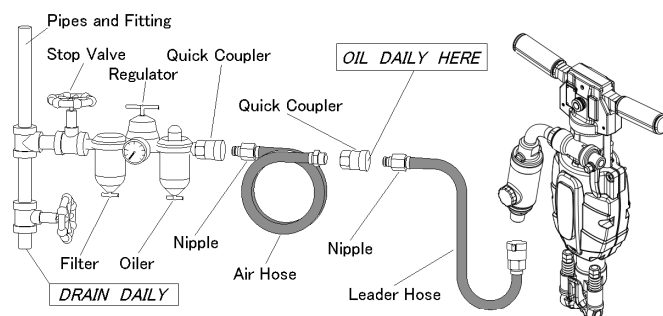
The importance of adequate and continuous lubrication cannot be overemphasized.

A few minutes operation without oil may severely damage the valve parts, cylinder and piston.

Hose Connection

Whether there is any dust, or damage to the air connection portion.

Whether the air hose is tight.



Operation guide

Maintain good balance on both feet. Keep proper distance from the chisel of the Rock Drill.

Never put your hand near the rod when using the Rock Drill horizontally.

Push the Rock Drill against the object firmly using the handle before turning the throttle valve level.

Obey the law and safety regulations.

CAUTION: Pressing the Rock Drill with proper force

Pressing the Rock Drill on the object too strong, much load is applied to rotation parts and these parts wear out quickly.

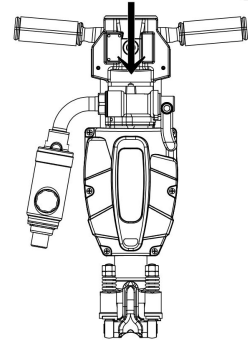
It depends on the rock quality but basically the maximum pressing force at vertical drilling is 30kgf.

If the Rock Drill is used for a long time with higher pressing force than maximum value, it might lead to the quick wear or premature failure for internal parts.

Conversely, if pressing force is too weak, the Rock Drill works intensely and cause high vibration.

Then it might lead to high burden and early fatigue for workers, and lead to quick wear for the consumable parts.

MAX Force : 30kgf



Inspection and maintenance

WARNING

Turn valve cock of the compressor to the stop position first, turn the throttle valve level of the Rock Drill and release the excess pressure in the air hose completely, then disconnect the Rock Drill from the air hose and finally inspect the Rock Drill.

Inspection and storage for a Rock Drill

Clean the exterior surface using a cloth.

Regularly inspect the tightening torque on the bolts.

Inspect whether there are any cracks or damage in the Rock Drill.

Storage of the Rock Drill

Apply 3 cc of oil from the air inlet. operate the Rock Drill for about 5 seconds after completing work.

Repeat above operation 2-3 times before storing the Rock Drill.

Put a cap on the air inlet of the Rock Drill to prevent any dust or foreign material from entering the Rock Drill. Keep the Rock Drill in a dry place.

Loss of power/erratic action (possible causes)

1. Reduced compressor output.
2. Excessive drain on air line.
3. Moisture or restricted pipe, hose or fittings.
4. Improper size or poor condition of pipe, hose or fittings.
5. Incorrect shank size of chisel, or excessively worn shank.
6. Free running (or blank blow) can cause damage to the tool. Always hold the tool down to the work.
7. Loosening of side bolts or back head bolts will cause loss of power and can cause damage to the tool.
Periodic inspection of bolt torque at regular intervals (at least once a week if tool is being used regularly) is recommended.

If everything else appears to be in order, then disassemble tool, replace worn or damaged parts, clean, reassemble and lubricate.

Replacement parts

Always use **GENUINE TOKU TOOL Replacement Parts**.

When replacement parts are required, order by Part Number and Description from the Parts List.

To prevent oil leakage from Line Oiler

1. Use Rock Drill Oil #100 or equivalent.

Don't use "Turbine Oil" or "Spindle Oil".

These oils will be consumed faster because of its low viscosity.

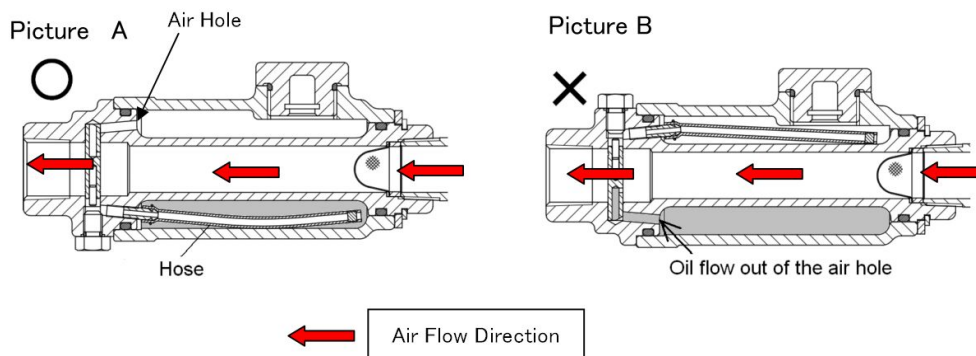
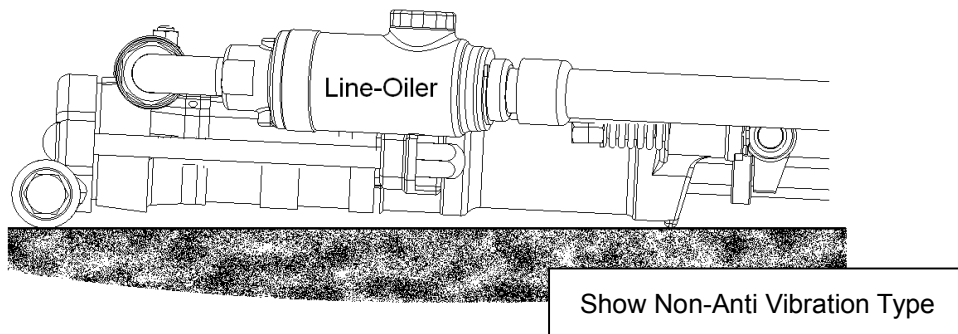
Use "Rock Drill Oil #100" or equivalent high viscosity.

2. Pay attention to the position of the Hose built in the Line-Oiler when installation.

Install Line-Oiler with correct position otherwise Oil flow off air hole in Line-Oiler tank.

Correct Line-Oiler position is shown on picture A below.

Hose in the Line Oiler must be downside when placing the Rock Drill horizontally on the ground as position shown below picture.



Air consumption at air pressure of 600kPa

1.6 m³/min

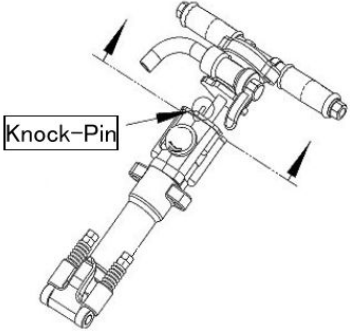
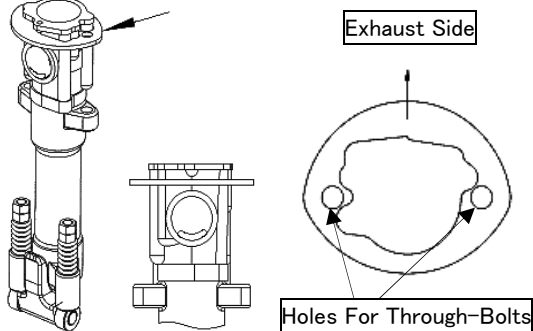
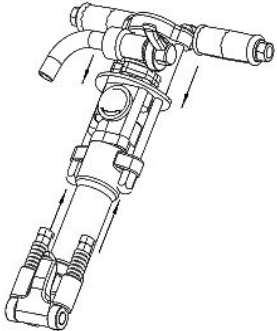
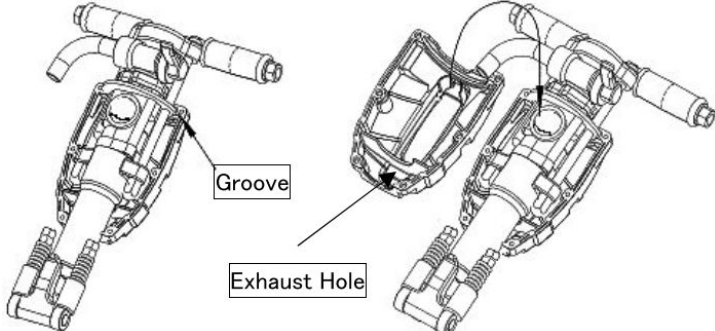
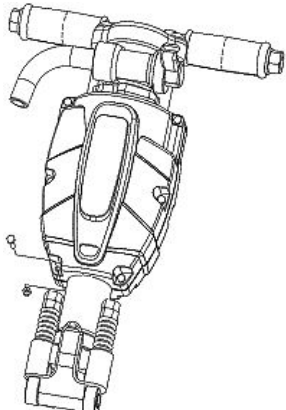
Sound levels (ISO 15744)

Sound pressure level L_{pA}	110.74 dB(A)	Uncertainty $K_{pA} = K_{WA}$
Sound power level L_{WA}	121.74 dB(A)	

Vibration value (ISO 28927-10)

Declared vibration emission value a_{hd}	Uncertainty K
10.2 m/s ²	1.51 m/s ²

Remove and Installation of Muffler (Show non-anti vibration type)

<p>① Remove Through-Bolt-Nuts and pull Through-bolts out. Remove the section above the valve guide. Then, remove the Valve-Knock-Pin. (Don't lose the Knock-Pin)</p>	<p>② Set Muffler-Bushing between Cylinder-Upper-Flange and Exhaust-hole-Flange.</p>
	
<p>③ Reassemble Parts, and tighten Through-Bolt-Nuts equally Tightening Torque: 5.8kgf•m {56.9N•m}</p>	<p>④ Put Muffler onto Rock Drill. Muffler-Groove and Muffler-Bushing must correspond.</p>
	
<p>⑤ Tighten Screws and Nuts. (6 Points) tightening Torque: 29kgf•cm { 3N•m }</p>	

(2) We :

TOKU PNEUMATIC TOOL MFG. CO., LTD.

5733, Minobaru, Miyaki-machi, Miyaki-Gun, Saga Japan

(3) Technical file authorized representative :

S.Fukuyama, Manager, Manufacturing Div.

TOKU PNEUMATIC TOOL MFG. CO., LTD.

5733, Minobaru, Miyaki-machi, Miyaki-Gun, Saga Japan

(4) declare that the product(s) : **ROCK DRILL**

(5) Model/Type : TJ-15

(6) Version(s) : TJ-15, PFF15, PK 140 LS, J-15, TJ-15SV, PFF15SV, PK 140 SA, J-15SV

(7) Starting Serial No. : 11J001

(8) is in conformity with the requirement of the council Directives on the approximation of the laws of the Member States relating :

(9) to "**Machinery**" 2006/42/EC

(10) applicable harmonized standard(s) : EN ISO 12100

(11) Place and date : Saga Japan, 03/10/2011

(12) NAME and POSITION of issuer : **S.Fukuyama, Manager, Manufacturing Div.**



ESPAÑOL (SPANISH)

(1) **DECLARACION DE CONFORMIDAD CE** - (2) Nosotros **TOKU** - (3) Archivo técnico disponible en - (4) declaramos que el producto : - Perforador - (5) tipo de máquina : - (6) versión : - (7) con comienzo de nº de serie : - (8) es conforme a los requisitos de la Directiva del Consejo sobre la aproximación de las leyes de los Estados con relación - (9) a la "**maquinaria**" **2006/42/CE** - (10) normas armonizadas aplicadas : - (11) Nombre y cargo del expedidor : - (12) Fecha

DEUTSCH (GERMANY)

(1) **EG-KONFORMITÄTSERKLÄRUNG** - (2) Wir, **TOKU** - (3) Technische Datei beim EU - (4) erklären hiemit, daß das (die) Produkt(e) : - Felsbohrer - (5) Typ(en) : - (6) version : - (7) serien Nr. beginn : - (8) den Anforderungen der EG-Richtlinie zur Angleichung der Rechtsvorschriften der Mitgliedsstaaten - (9) für "**Maschinen**" **2006/42/EG** - (10) geltende harmonisierte Norme(n) : - (11) NAME und EIGENSCHAFT des Ausstellers : - (12) Datum

FRANÇAIS (FRENCH)

(1) **DECLARATION DE CONFORMITE** - (2) Nous **TOKU** - (3) Dossier technique disponible auprès du siège social - (4) déclarons que les produits : - Marteau Perforateur - (5) type : - (6) version : - (7) premier N° de série : - (8) est (sont) en conformité avec les exigences de la Directive du conseil, concernant les législations des états membres relatives - (9) aux "**Machines**" **2006/42/CE** - (10) Norme(s) harmonisée(s) applicable(s) : - (11) NOM et FONCTION de l' émetteur : - (12) Place et data

ITALIANO (ITALIAN)

(1) **DICHIARAZIONE DI CONFORMITÀ CE** - (2) La Società : **TOKU** - (3) File tecnico disponibile dal - (4) dichiara che il(i) prodotto(i) : - Perforatore - (5) tipo : - (6) versione : (7) avente numeri di serie che partono dal suffisso : (8) è (sono) in conformità con le esigenze previste dalla Direttiva del Consiglio, sulle legislazioni degli Stati membri relative : - (9) alle "**macchine**" **2006/42/CE** - (10) norma(e) armonizzate(e) applicabile(i) : - (11) NOME e FUNZIONE del dichiarante - (12) Data

PORTUGUÊS (PORTUGUESE)

(1) **DECLARAÇÃO DE CONFORMIDADE CE** - : (2) Nós **TOKU** - (3) Ficheiro técnico disponível na - (4) declaramos que o produto : - Martelo Perfurador - (5) tipo de máquina : - (6) versão : - (7) N.º inicial de Série - (8) está em conformidade com os requisitos da Directiva do Conselho, referente às legislações dos Estados-membros relacionados com : - (9) "**maquinaria**" **2006/42/CE** - (10) Normas harmonizadas aplicáveis - (11) Nome e cargo do emissor : - (12) Data

NEDERLANDS (DUTCH)

(1) **E.G.-VERKLARING VAN OVEREENSTEMMING** - (2) De firma : **TOKU** - (3) Technisch bestand verkrijgbaar - (4) verklaart hierbij dat het (de) produkt(en) : - Boorhammer - (5) type : - (6) versie : - (7) vanaf serie nummer : - (8) in overeenstemming is (zijn) met de vereisten van de richtlijn van de Raad inzake de onderlinge aanpassing van de wetgevingen van de lidstaten betreffende : (9) "**machines**" **2006/42/EG** - (10) geldige geharmoniseerde norm(en) - (11) NAAM en FUNCTIE van de opsteller : - (12) Datum

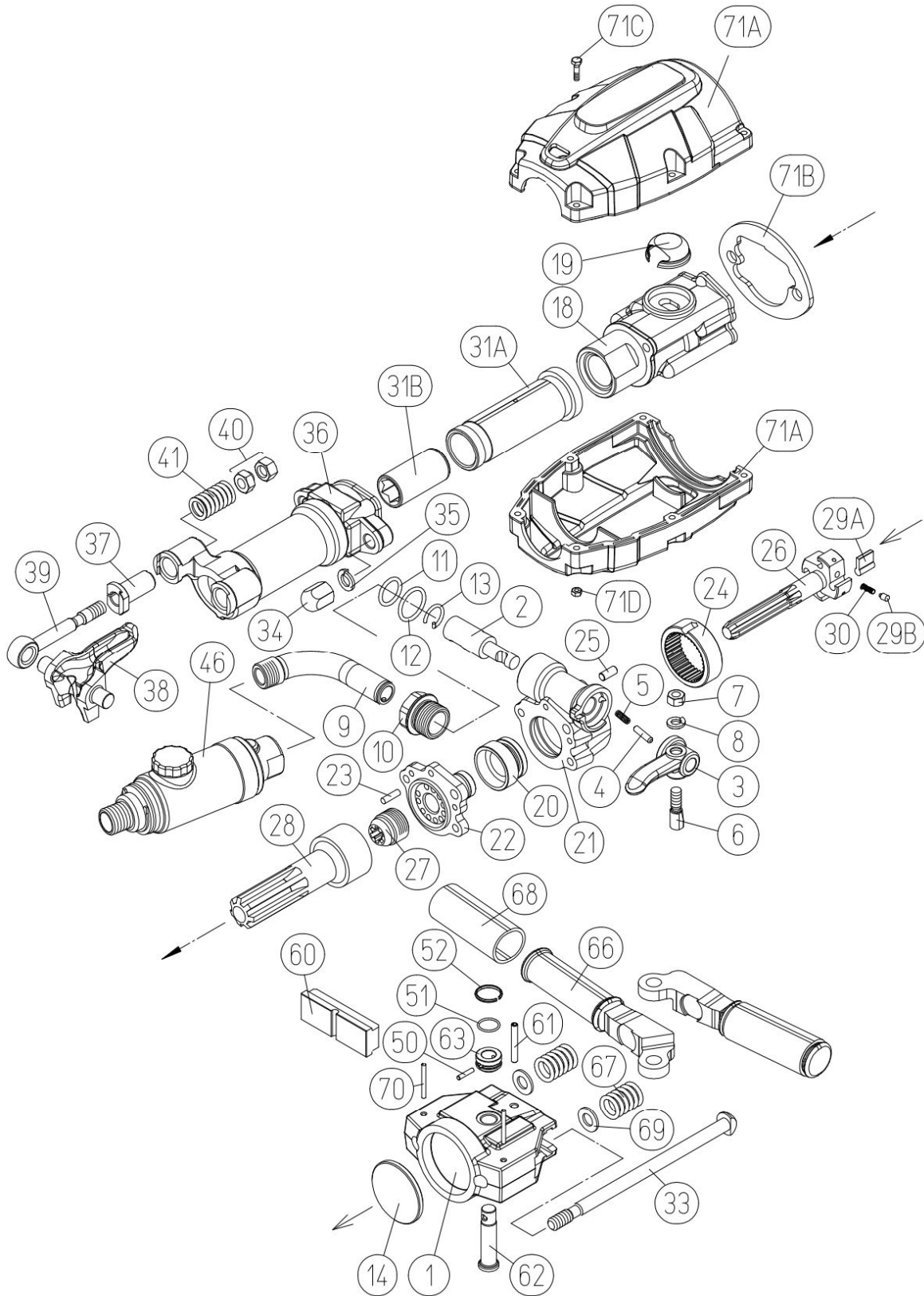
ΕΛΛΗΝΙΚΑ (GREEK)

(1) **ΔΗΛΩΣΗ ΠΙΣΤΟΤΗΤΑΣ ΕΚ** - (2) Η εταιρεία : **TOKU** - (3) Τεχνικός φάκελος διαθέσιμος - (4) δηλώνει υπεύθυνα ότι το(τα) προϊόν(-τα) : - Περιστροφικό Αερόφυρο - (5) τύπου(-ων) : - (6) εναλλακτικοί τύποι : - (7) αρχή σειράς Νο. : - (8) είναι σύμφωνο(-α) προς τις απαιτήσεις της Οδηγίας του Συμβουλίου που αφορά την προσέγγιση των νομοθεσιών των κρατών τις σχετικές με : - (9) τα "**μηχανήματα**" **2006/42/ΕΚ** - (10) εφαρμοστέο(-α) εναρμονισμένο(-α) πρότυπο(-α) : - (11) ΟΝΟΜΑ και ΑΡΜΟΔΙΟΤΗΤΑ του δηλούντος : - (12) Ημερομηνία

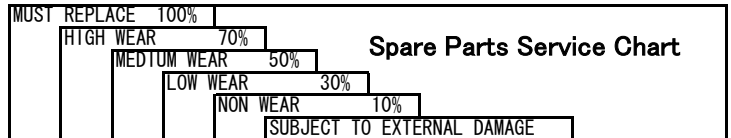
TJ-15SV

Parts List

Exploded View



12th edition



Symbol No.	Parts No.	Q'ty Req.	Description	MUST REPLACE 100%	HIGH WEAR 70%	MEDIUM WEAR 50%	LOW WEAR 30%	NON WEAR 10%	SUBJECT TO EXTERNAL DAMAGE
1	430115A00	1	Back Head					X	
2	430101A40	1	Throttle Valve					X	
3	430101A50	1	Throttle Valve Handle					X	
4	130403002	1	Throttle Valve Plunger					A	
5	130803001	1	Throttle Valve Spring					A	
6	430101A70	1	Throttle Valve Bolt					A	
7	134401010	1	Hex Nut (M10)					A	
8	131301010	1	Spring Washer (M10)					A	
9	430101B00	1	Air Connection Tube (PT)						X
10	430101B31	1	Air Connection Nut					X	
11	131101023	1	O-Ring P-24		X				
12	131101030	1	O-Ring P-30		X				
13	130803004	1	Air Connection Clamp		X				
14	430115Y50	1	Spacer					X	
18	430101C80	1	Cylinder					X	
19	430101P60	1	Exhaust Cap		A				
20	430101F80	1	Valve				X		
21	430101F9B	1	Valve Chest CP					X	
22	430101G20	1	Valve Guide					X	
23	130403001	1	Valve Knock					X	
24	430101G60	1	Ratchet		X				
25	130409001	1	Ratchet Key					A	
26	430101H01	1	Rifle Bar					X	
27	430101H10	1	Rifle Nut		X				
28	430101E50	1	Piston		X				
29A	430101H20	4	Rotation Pawl		X				
29B	136303002	4	Pawl Plunger				X		
30	130803006	4	Pawl Plunger Spring		X				
31	430101H5A	1	Rotation Sleeve (S) CP (3/4X3-1/4)			X			
	430102H5A	(1)	Rotation Sleeve (S) CP (7/8X3-1/4)			X			
	430107H6A	(1)	Rotation Sleeve (L) CP (7/8X4-1/4)			X			
31A	430101H50	(1)	Rotation Sleeve(S) (3-1/4)			X			
	430106H60	(1)	Rotation Sleeve(L) (4-1/4)			X			
31B	430101H70	(1)	Sleeve Bushing (S) (3/4X3-1/4)		X				
	430102H70	(1)	Sleeve Bushing (S) (7/8X3-1/4)		X				
	430107H80	(1)	Sleeve Bushing (L) (7/8X4-1/4)		X				
33	131503001	2	Through Bolt				X		
34	430101W10	2	Through Bolt Nut				A		
35	131303032	2	Through Bolt Washer W1/2				A		
36	430101W60	1	Front Head (S) (3-1/4)					X	
	430106W70	(1)	Front Head (L) (4-1/4)					X	
37	430101W80	2	Front Head Bushing		X				
38	430101K90	1	Steel Holder (3/4)			X			
	430102K90	(1)	Steel Holder (7/8)			X			
39	430101L00	2	Steel Holder Bolt				A		
40	430101M30	2	Steel Holder Nut				A		
41	130803007	2	Steel Holder Spring				A		
46	430101V0J	1	Line Oiler CP (LO-150)						X
50	130400043	1	Parallel Pin 4X19.8					X	
51	131117018	1	O-Ring AS568-018		X				
52	130803144	1	Socket Retaining Ring					X	
60	410136D60	1	Back Head Cap			X			
61	130606044	1	Spring Pin 6X44					X	
62	410136A81	1	Center Pin					X	
63	410136C90	1	Center Pin Ring					X	
66	430115B60	2	Handle					X	
67	130801064	2	Handle Spring			X			
68	136601010	2	Rubber Grip					X	
69	131307013	2	Plain Washer W1/2					X	
70	130604040	2	Spring Pin 4X40					X	
71A	430101Y10	1	muffler(Pair)					X	
71B	136301070	1	muffler Bushing					X	
71C	132405240	6	Screw W/Washer M5X40					X	
71D	134601005	6	Nylon Nut M5		A				

This service chart is a guide to expectant life of component parts. The replacement levels are based on average tool usage over a one year period.

Example : For 10 tools in use : 10 must —replace items will be required per year, 7 high wear items, etc.

Note: Quantities must be increased if the tool is in more service or continuous usage.

LEGEND

X — Type of wear, if no other comments apply.
A — Easily lost or damaged during disassembly and reassembly.

Location of Serial number, Year of manufacture and Name plate

